

Affinity Collection

J-54L

66" X 42" X 21"

END DRAIN



COMBO
HYDROTHERAPY

JETTA



PORTER

66" X 42" X 21" - RECTANGLE (1 PERSON)

FEATURES

- 12 seamless InvisiJets including:
 - 2 jets on each end
 - 4 body jets on each side
- 2 B.P.H. pump – 9 Amps
- 37 seamless air injectors
- 600 watt air heater
- Suitable for drop-in or undermount applications
- High gloss/high impact acrylic
- Totally insulated with polyurethane foam
- Passive warm air induction system
- Gravity flow draining for sanitary bathing
- Anti-microbial flex piping
- Pre-leveled lip
- Slip resistant bottom
- Linear drain
- LED light standard
- Electronic keypad control
- Sound absorption
- 10 year limited factory warranty



OPTIONS AVAILABLE

- Contoured neck pillow or Deluxe contoured neck pillow
- 6" acrylic grab bars

COLORS AVAILABLE

Standard Color: White

Decorator Colors*: Biscuit

*Requires additional lead time

RECOMMENDED OPERATING GALLONS

Minimum: 57

Maximum: 113

*Minimum operating gallon capacity required for system operation

JETTACORP.COM

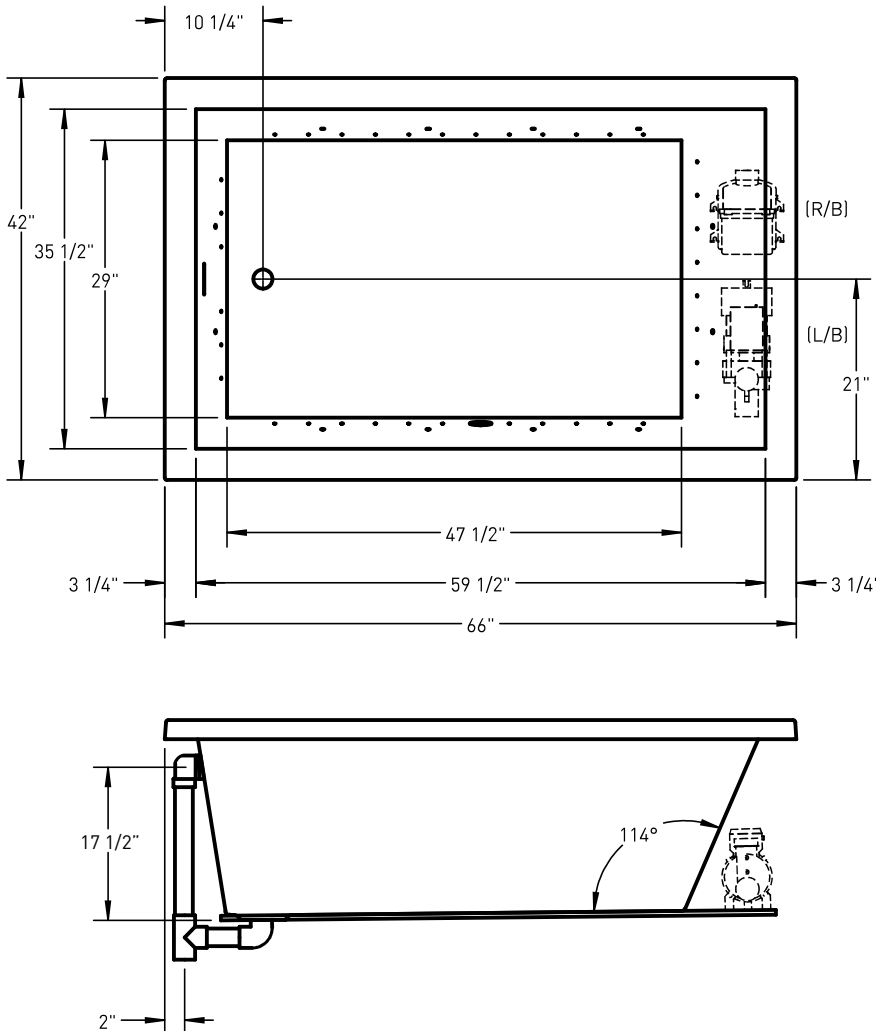


Jetta guarantees that the water temperature in our insulated whirlpool baths will stay within 2 degrees of its original fill temperature for 30 minutes of use without an inline heater.

J-54L

Affinity Collection **PORTER**

JETTA COMBO HYDROTHERAPY | 66" X 42" X 21" | END DRAIN



ELECTRICAL SPECIFICATIONS

Required Electrical Service 110/115 Volts
Standard Whirlpool 20 amp GFI
Standard Air 20 amp GFI
Each pump and blower must be protected by a dedicated GFI breaker (refer to local codes).

CODES/STANDARDS APPLICABLE

for the following standards: UL Listed, ANSI, ASME

SUGGESTED PUMP & BLOWER ACCESS PANEL

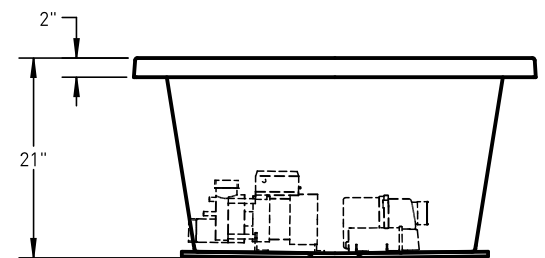
Suggested access size 20" x 12"
Actual size may vary depending on distance of access to pump & blower location.

DROP-IN CUT OUT DIMENSIONS

Subtract 1" from length and width dimensions
Actual cut out dimension 65" x 41"

SHIPPING WEIGHT 185 lbs

*L/B pump, R/B blower positions are standard.
Custom pump and blower locations available upon request.



INSTALLATION: MEASURE TUB BEFORE BUILDING TUB DECK.

For best results, Jetta Corporation recommends 1"-3" of mortar bedding under the tub base for maximum support. Drawing shows manufacturer's standard pump and blower location(s). Contact Jetta for details. Dimensional variance on drawings may be +/- 1/2 inch and are subject to change without notice.

JETTACORP.COM



© 2016 Jetta Corporation. All rights reserved. Specifications are subject to change without notice.
REV 01/2016

TECHNICAL SPECIFICATIONS