

Affinity Collection

# J-51L

60" X 36" X 21"

END DRAIN



JETTAVHIRL  
HYDROTHERAPY

# JETTA

# PORTER

60" X 36" X 21" - RECTANGLE (1 PERSON)

## FEATURES

- 10 seamless InvisiJets including:
  - 2 jets on each end
  - 4 body jets on each side
- 2 B.P.H. pump – 9 Amps
- Suitable for drop-in or undermount applications
- High gloss/high impact acrylic
- Totally insulated with polyurethane foam
- Passive warm air induction system
- Gravity flow draining for sanitary bathing
- Anti-microbial flex piping
- Pre-leveled lip
- Slip resistant bottom
- Linear drain
- Sound absorption
- 10 year limited factory warranty



## OPTIONS AVAILABLE

- Mood or LED light
- Contoured neck pillow or Deluxe contoured neck pillow
- 6" acrylic grab bars

## COLORS AVAILABLE

**Standard Color:** White

**Decorator Colors\*:** Biscuit

\*Requires additional lead time

## RECOMMENDED OPERATING GALLONS

**Minimum:** 41

**Maximum:** 82

\*Minimum operating gallon capacity required for system operation

JETTACORP.COM

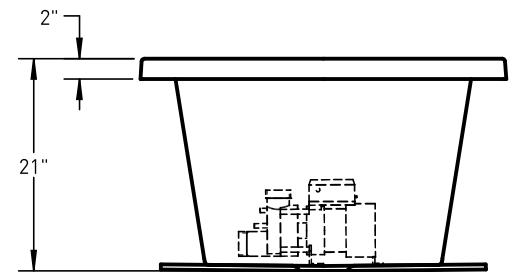
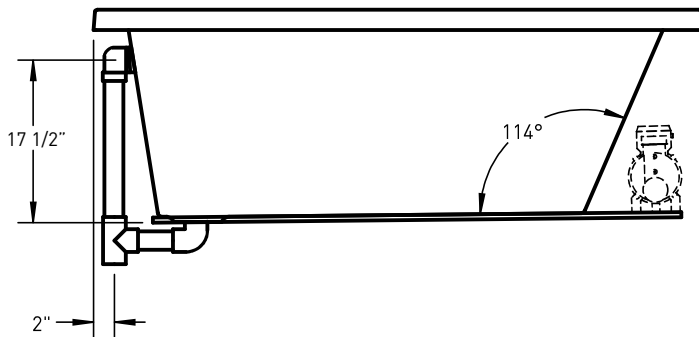
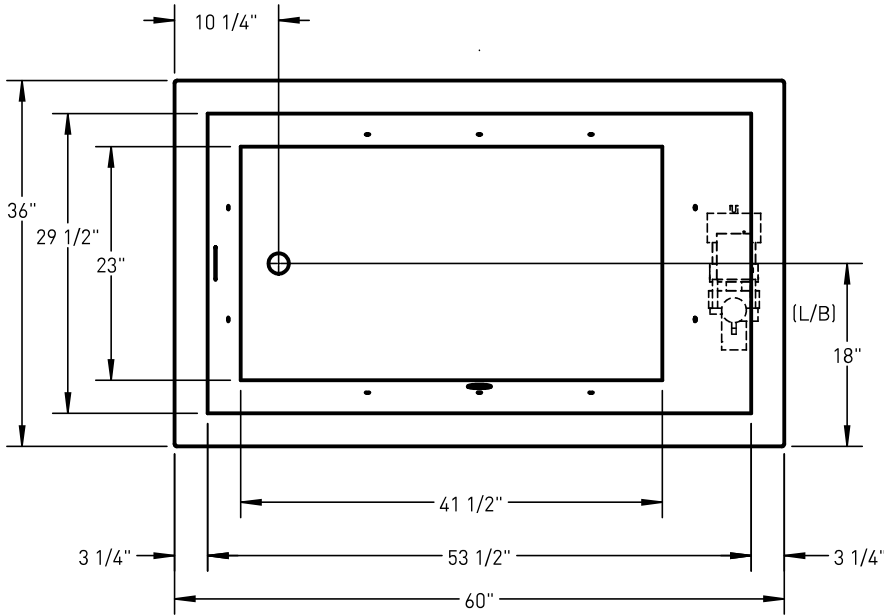


Jetta guarantees that the water temperature in our insulated whirlpool baths will stay within 2 degrees of its original fill temperature for 30 minutes of use without an inline heater.

# J-51L

# Affinity Collection PORTER

JETTA WHIRL HYDROTHERAPY | 60" X 36" X 21" | END DRAIN



## ELECTRICAL SPECIFICATIONS

Required Electrical Service 110/115 Volts  
Standard Whirlpool 20 amp GFI  
Each pump must be protected by a dedicated GFI breaker (refer to local codes).

## CODES/STANDARDS APPLICABLE

for the following standards: UL Listed, ANSI, ASME

## SUGGESTED PUMP ACCESS PANEL

Suggested access size 20" x 12"  
Actual size may vary depending on distance of access to pump location.

## DROP-IN CUT OUT DIMENSIONS

Subtract 1" from length and width dimensions  
Actual cut out dimension 59" x 35"

**SHIPPING WEIGHT** 150 lbs

\*L/B pump positions are standard.  
Custom pump locations available upon request.



## INSTALLATION: MEASURE TUB BEFORE BUILDING TUB DECK.

For best results, Jetta Corporation recommends 1"-3" of mortar bedding under the tub base for maximum support. Drawing shows manufacturer's standard pump location(s). Contact Jetta for details. Dimensional variance on drawings may be +/- 1/2 inch and are subject to change without notice.

JETTACORP.COM



© 2016 Jetta Corporation. All rights reserved. Specifications are subject to change without notice.  
REV 01/2016

# TECHNICAL SPECIFICATIONS