

# BERMUDA J-16X

65" X 40" X 23" END DRAIN



**JETTAMHIRL**  
HYDROTHERAPY

OVAL • 1 PERSON

## OPERATING GALLONS

REGULAR USAGE - 40 GAL.  
UPPER BODY USAGE - 65GAL.



## FEATURES

### GENERAL

- High-gloss, high-impact, UV-resistant acrylic will not dull or fade
- Suitable for drop-in application
- Slip resistant bottom

### SYSTEM

- 7 flow-adjustable and directional jets, including:
  - 3-pack rotating back jets
  - 2 side jets
  - 2 foot jets
- 2 B.H.P pump - 9 Amps
- Tri-ssage control for adjustable pump flow rates
- Passive warm air induction system
- Rotating back jets are adjustable to stationary jets
- Upper body jets can be shut down for operation at a lower water level

### COMFORT

- Armrests
- Totally insulated with eco-friendly polyurethane foam for a warmer bathing experience

### CLEANLINESS

- Acrylic is easy to clean with standard non-abrasive household cleaning products
- Plumbed with anti-microbial flex piping
- Arched plumbing provides gravity flow draining for sanitary bathing

## OPTIONS AVAILABLE

- Mood or LED lights
- Bath waste & overflows
- Spa Pillows
- Neck jet therapy system
- 6" acrylic grab bars
- Inline heater
- Upgrade pump size
- Extra jets/specialty jet upgrade

## TRIM KIT FINISHES

- Polished chrome
- Satin nickel
- Oil rubbed bronze
- Polished brass

## COLORS AVAILABLE

### Standard Colors

White, Biscuit

### DECORATOR COLORS

Bone, Sandbar, Black, Ice Grey

## WARRANTY

10-year limited factory warranty



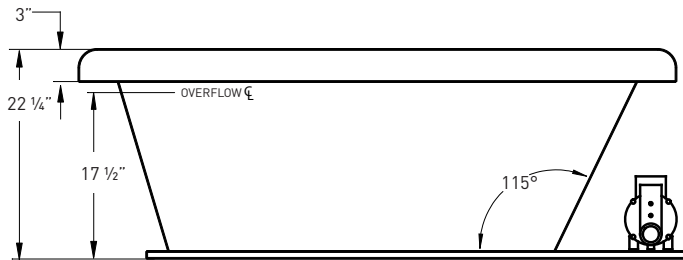
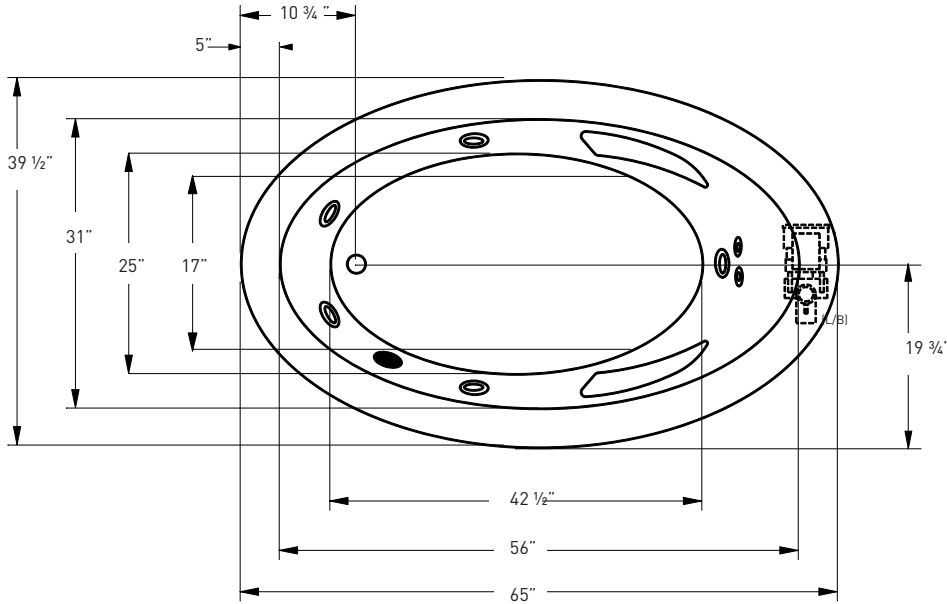
Jetta guarantees that the water in our insulated whirlpool baths will stay within 2 degrees of its original fill temperature for 30 minutes of use without an inline heater.



# J-16X

# Designer Collection BERMUDA

JETTA WHIRL HYDROTHERAPY | 65" X 40" X 23" | END DRAIN



## ELECTRICAL SPECIFICATIONS

Required Electrical Service 110/115 Volts  
Standard Whirlpool 20 amp GFI  
Each pump must be protected by a dedicated GFI breaker (refer to local codes).

## CODES/STANDARDS APPLICABLE

Specific model meets or exceeds the requirements for the following standards: ANSI, ASME

## SUGGESTED PUMP ACCESS PANEL

Suggested access size 20" x 12"  
Actual size may vary depending on distance of access to pump location.

## DROP-IN CUT OUT DIMENSIONS

Template provided with tub or upon request.

SHIPPING WEIGHT 167 lbs

\*L/B pump positions are standard.  
Custom pump locations available upon request.



## INSTALLATION: MEASURE TUB BEFORE BUILDING TUB DECK.

For best results, Jetta Corporation recommends 1"-3" of mortar bedding under the tub base for maximum support. Drawing shows manufacturer's standard pump location(s). Contact Jetta for details. Dimensional variance on drawings may be +/- 1/2 inch and are subject to change without notice.

JETTACORP.COM



© 2017 Jetta Corporation. All rights reserved. Specifications are subject to change without notice.  
REV 07/2017

# TECHNICAL SPECIFICATIONS