

THIS TUB COMES IN THE FOLLOWING LINES

CLASSIC

# ARUBA J-11

60" X 60" X 23" CENTER DRAIN



**JETTAIR**  
HYDROTHERAPY

CORNER • 2 PEOPLE

**OPERATING GALLONS**  
REGULAR USAGE - 45 GAL.

## FEATURES

### GENERAL

- High-gloss, High-impact, UV-resistant acrylic will not dull or fade
- Suitable for drop-in application
- Slip resistant bottom

### SYSTEM

- Seamless air injectors around tub perimeter
- Variable speed blower motor with 600 watt heater: 115 Volt - 10 Amps - 1 HP
- Mood light standard
- Electronic keypad control with variable speeds and 3 settings - Pulse, Wave, or Continuous

### COMFORT

- Armrests
- Lumbar back support
- Totally insulated with eco-friendly polyurethane foam for a warmer bathing experience

### CLEANLINESS

- Acrylic is easy to clean with standard non-abrasive household cleaning products
- Automatic purge keeps lines clean and dry

## OPTIONS AVAILABLE

- LED light
- Bath waste & overflows
- Spa Pillows
- Aromatherapy
- 6" acrylic grab bars
- ABS tile flange

## COLORS AVAILABLE

### STANDARD COLORS

White, Biscuit

### DECORATOR COLORS

Bone, Sandbar, Black, Ice Grey

## WARRANTY

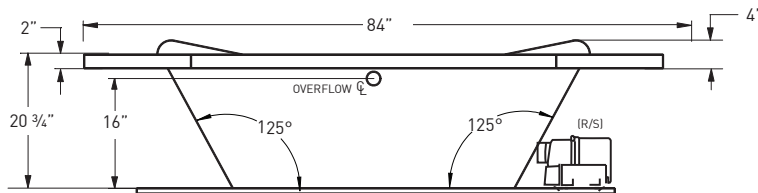
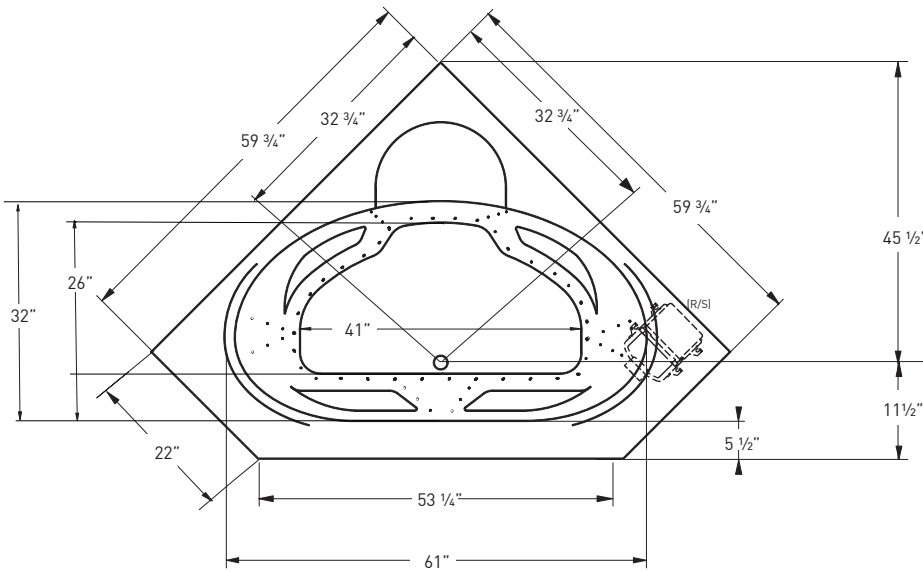
10-year limited factory warranty



# J-11

# Classic Collection ARUBA

## JETTA AIR HYDROTHERAPY | 60" X 60" X 23" | CENTER DRAIN



### ELECTRICAL SPECIFICATIONS

Required Electrical Service 110/115 Volts  
Standard Air 20 amp GFI  
Each blower must be protected by a dedicated GFI breaker (refer to local codes).

### CODES/STANDARDS APPLICABLE

Specific model meets or exceeds the requirements for the following standards: ANSI, ASME

### SUGGESTED BLOWER ACCESS PANEL

Suggested access size 20" x 12"  
Actual size may vary depending on distance of access to blower location.

### DROP-IN CUT OUT DIMENSIONS

Subtract 1" from length and width dimensions  
Actual cut out dimension 59" x 59"

**SHIPPING WEIGHT** 193 lbs

\*R/S blower position is standard.  
Custom blower locations available upon request.



### INSTALLATION: MEASURE TUB BEFORE BUILDING TUB DECK.

For best results, Jetta Corporation recommends 1"-3" of mortar bedding under the tub base for maximum support. Drawing shows manufacturer's standard blower location(s). Contact Jetta for details. Dimensional variance on drawings may be +/- 1/2 inch and are subject to change without notice.

JETTACORP.COM



© 2017 Jetta Corporation. All rights reserved. Specifications are subject to change without notice.  
REV 06/2017

# TECHNICAL SPECIFICATIONS