

57" x 38" x 24"

# ADVANTAGE

*Baths*

## ABBEY

(E-15)

THIS COMPACT, SELF-RIMMING OVAL BATH WITH ADDITIONAL HEAD AND ARM RESTS IS DESIGNED FOR RELAXATION.

### FEATURES:

- 5 directional jets including:
  - 1 back jet
  - 2 hip jets
  - 2 foot jets
- High gloss / high impact acrylic
- On/Off air switch for safety and convenience
- Safety suction
- Sculpted armrests
- Lumbar back support
- Slip resistant bottom
- 1 B.H.P. pump - 5.5 Amps
- Self-leveling rim
- Multiple pump positions
- UL and IAPMO listed, factory tested
- 1-year limited factory warranty

### MODELS:

- Whirlpool • Air • Soaker



### OPTIONS:

- Contoured neck support pillow
- Bath waste & overflows

### COLORS:

- White and Biscuit

### OPERATING GALLONS (APPROX.):

- Regular Usage - 40 gal.

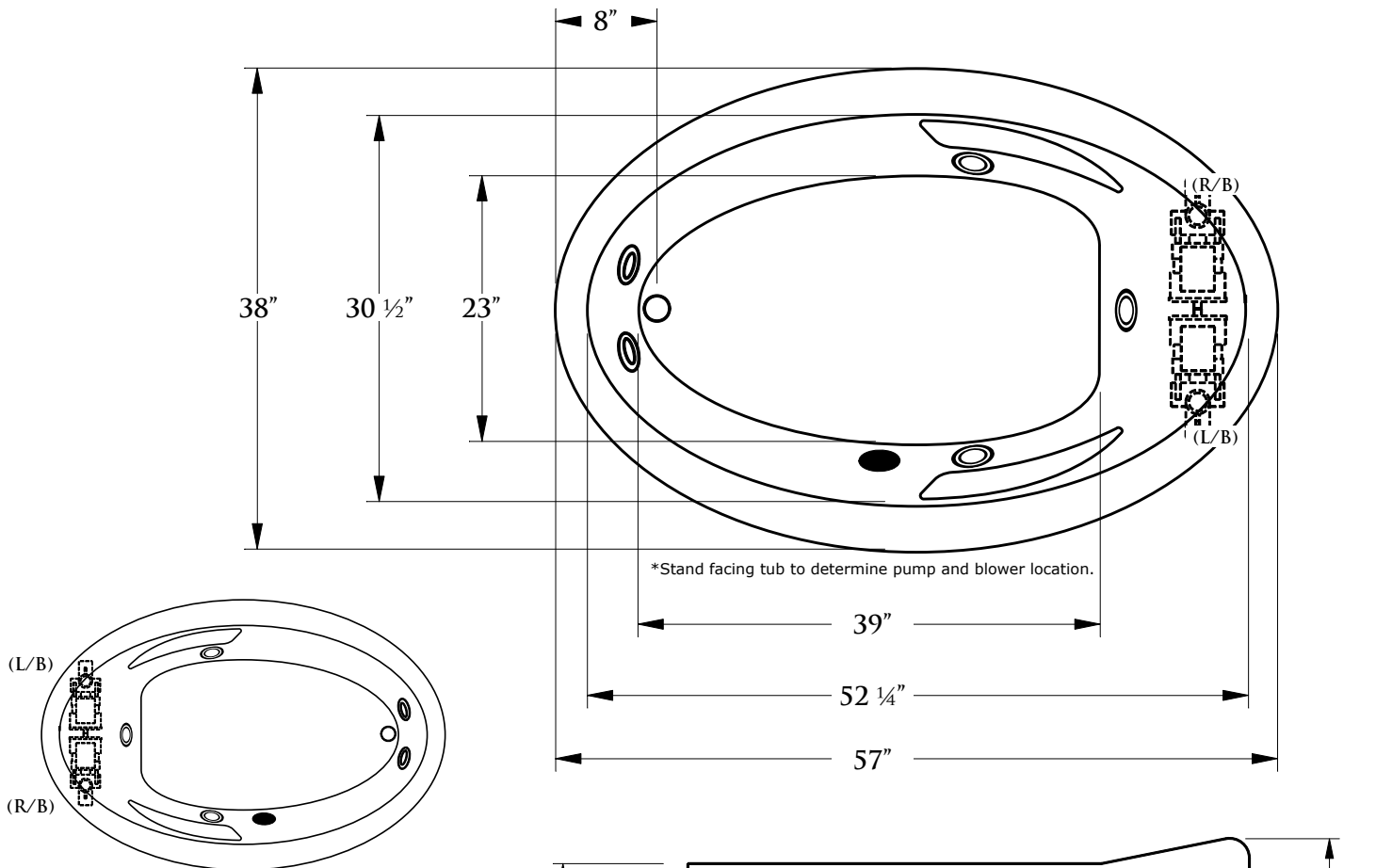


TO ORDER OR FOR MORE INFORMATION, CALL 1-800-288-7771 FOR THE AUTHORIZED REPRESENTATIVE IN YOUR AREA

# E-15

57" X 38" X 24"

## JETTA CORPORATION TECHNICAL SPECIFICATIONS



\*Stand facing tub to determine pump and blower location.

### Electrical Specifications:

Required Electrical Service	110/115 Volts
Standard Whirlpool	20 amp GFI
Air Bath	20 amp GFI

Pump or blower must be protected by a dedicated GFI breaker (refer to local codes).

### Codes/Standards Applicable:

Specified model meets or exceeds the requirements for the following standards:  
UL Listed, ANSI, ASME, IAPMO

### Suggested Pump/Blower Access Panel:

Suggested access size 20" x 12".  
Actual size may vary depending on distance of access to pump or blower location.

### Drop-In Cut Out Dimension:

Template provided with tub or upon request.

**Shipping Weight:** 240 lbs.



\*L/B, R/B pump position determines suction location.

**Installation: Measure tub before building tub deck.** For best results, Jetta Corporation recommends 1"-3" of mortar bedding under the tub base for maximum support. Drawing shows manufacturer's standard pump location(s). Optional location(s) available at an additional cost depending on feasibility. Contact Jetta for details. Dimensional variance on drawings may be +/- 1/2 inch and are subject to change without notice.

